

Go-3

PRELIMINARY DATA

High-Resolution USB 2.0 Digital Color Camera

The **QImaging® Go-3** color CMOS camera is a low-cost digital color camera for documentation and archiving in clinical, pathology, life science, material science, and industrial applications where high resolution and high speed are required. The Go-3 features a 3-megapixel sensor and on-board processing to deliver amazing color images at 6fps (full resolution). The camera's USB 2.0 interface provides convenience and simple plug-and-play installation via a single cable.



camera models

Includes: USB 2.0 cable, QCapture Suite software, QCapture Pro software, and access to SDK

- **Color Go-3**
Model: GO-3-CLR-10

camera options

- Extended Warranty

| features | benefits |
|---|--|
| High-Resolution, 3-Million-Pixel Sensor | <ul style="list-style-type: none"> ▪ Highly detailed, sharp images suitable for documentation and industrial applications |
| High-Speed Readout | <ul style="list-style-type: none"> ▪ Previewing & focusing in real time ▪ 60fps with 640 x 480 resolution ▪ 6fps full resolution ▪ Ideal for high-resolution, high-speed imaging |
| Flexible Exposure Control | <ul style="list-style-type: none"> ▪ Optimal integration over a wide range of light levels |
| ROI (Region of Interest) | <ul style="list-style-type: none"> ▪ Higher frame rates for previewing & focusing |
| USB 2.0 Connection | <ul style="list-style-type: none"> ▪ Simple connectivity ▪ Ease of use and installation ▪ Portability with laptop computer ▪ Single-cable operation (no external control unit or framegrabber) |
| Extensive Application Software Support | <ul style="list-style-type: none"> ▪ Choose from a large selection of life science & industrial software for microscopy, machine vision, & video-streaming functions |

Go-3 Specifications

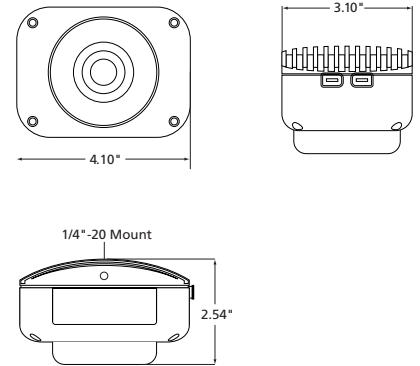
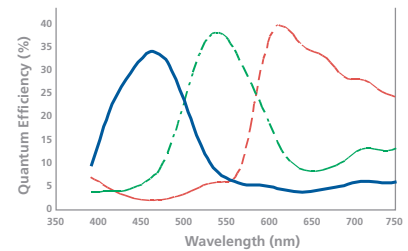
PRELIMINARY DATA

| CMOS sensor | |
|--|--|
| Light-Sensitive Pixels | 2048 x 1536 |
| ROI (Region of Interest) | User selectable |
| Exposure/Integration Control | 0ms to 1.74sec |
| Sensor Type | CMOS, color sensor |
| Pixel Size | 3.2µm x 3.2µm |
| Linear Full Well | 8300 e- |
| Read Noise | 2.6e- rms |
| Shutter | Rolling shutter with single-frame capture |
| Digital Output | 8 or 10 bits (24- or 30-bit color) |
| Readout Frequency | 24MHz |
| Frame Rate | 6fps full resolution @ 10 bits; 60fps @ 640 x 480 resolution |
| camera | |
| Computer Platforms/ Operating Systems* | Windows® |
| Digital Interface | USB 2.0 |
| Trigger Types | Internal, Software |
| Normal Gain Control | 1 to 3.850 |
| Optical Interface | 1/2", C-mount optical format |
| Threadmount | 1/4" – 20 mount |
| Power Requirements | 2.5W; 5VDC |
| Weight | 300g (0.67lbs) |
| Warranty | 2 years |
| Operating Environment | 0 to 50°C; 95% relative humidity non-condensing |
| Storage Temperature | -20 to 60°C |

applications

- Pathology
- Image archiving for clinical, life science, and material science
- Industrial imaging
- Brightfield
- Still-image animation

spectral response



*Refer to QImaging website for detailed listing of supported operating systems.

Note: Specifications are nominal and subject to change.

Go is a trademark and QImaging is a registered trademark of QImaging Corporation.

Windows is a registered trademark of Microsoft Corporation in the United States and other countries.

Other brand and product names are the trademarks or registered trademarks of their respective owners and manufacturers.



Tel 604.708.5061 ▪ Fax 604.708.5081 ▪ info@qimaging.com
www.qimaging.com